

USA



Rosehill Security

Rapid Defender

Temporary VSB



arxperimeters.com





Protecting people from vehicle as a weapon attacks



Product Benefits

- A physical and visual security deterrent
- Quick and easy to deploy, remove and relocate - minimising disruption
- Lightweight design allows easy transportation and installation
- Suitable for all types of sites - accommodating road cambers and uneven surfaces
- No special tools or lifting equipment required
- Integrated redeployable pedestrian and vehicle portals
- Over 65% lighter than concrete solutions
- Manufactured from 100% recycled rubber
- Innovative modular design enabling integration with other HVM solutions
- Optional covers for branding opportunities

Specifically designed to provide protection for crowds of people at events from vehicle as a weapon (VAAW) attacks, the Rapid Defender is a temporary vehicle security barrier (VSB). Requiring no foundations, this surface mounted system can be quickly deployed almost anywhere, from the streets surrounding stadiums to uneven festival sites, in a matter of minutes.

Made up of individual robust rubber units weighing just 49kg each, connected by steel rods, the modular system can be set up quickly and easily, removed and used again and again. With no special tools or lifting equipment required, four men can manually install a barrier across the width of a road in less than five minutes.

Pedestrian and vehicle portals can be integrated as required to provide single or multiple access points, without compromising perimeter security. The portable modular portals are designed to be manually installed making them ideal for deployment at temporary events.

The innovative design of the Rapid Defender allows it to be integrated with other temporary or permanent hostile vehicle mitigation (HVM) systems to create a stronger physical barrier as part of a holistic HVM solution.



Suitable for all types of sites



Integrated pedestrian & vehicle portals

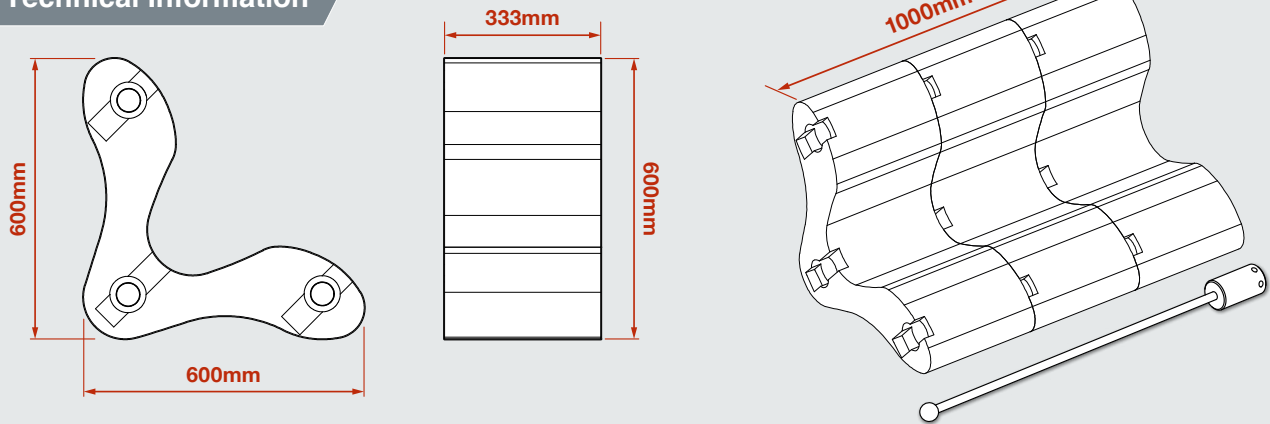


For more information, please contact ARX Perimeters on 708-352-2373, or email info@arxperimeters.com

arxperimeters.com



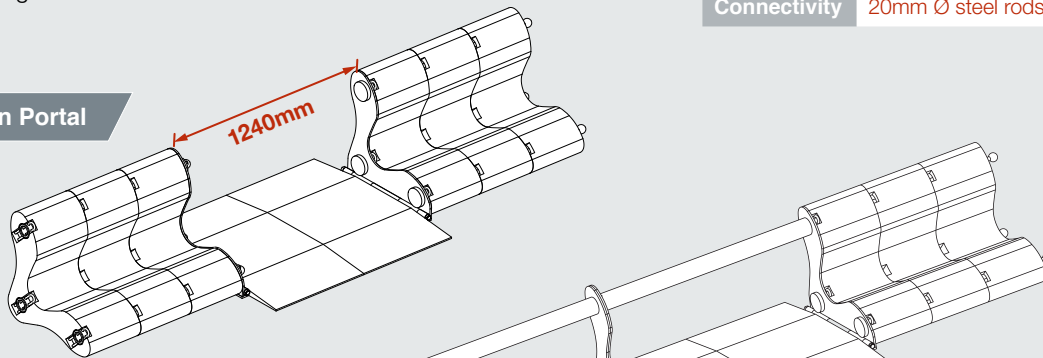
Technical Information



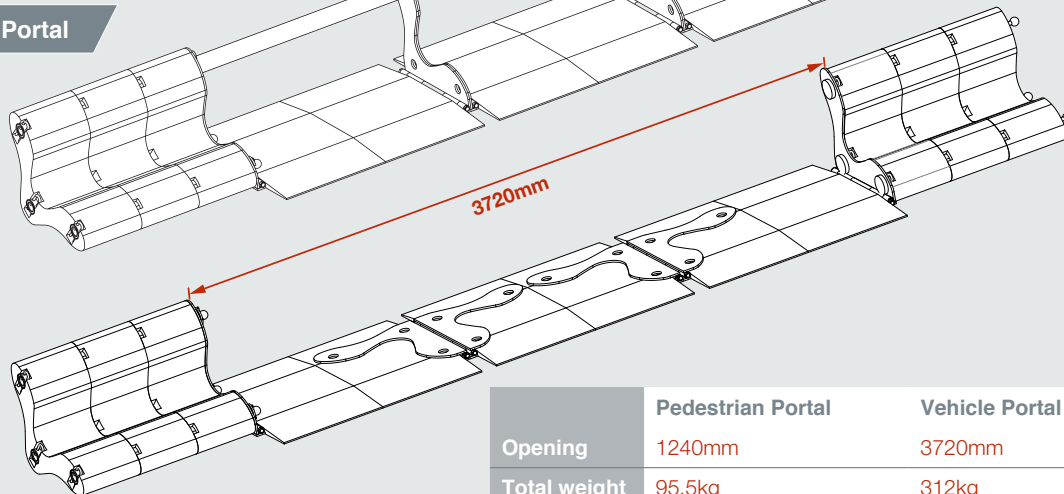
Manufactured from 100% recycled rubber and polyurethane, the Rapid Defender is supplied complete with steel securing rods and fixings.

Size	333 x 600 x 600mm
Weight	49kg
Connectivity	20mm Ø steel rods

Pedestrian Portal



Vehicle Portal



	Pedestrian Portal	Vehicle Portal
Opening	1240mm	3720mm
Total weight	95.5kg	312kg
Connectivity	20mm Ø steel rods	20mm Ø steel rods

For more information, please contact ARX Perimeters on 708-352-2373, or email info@arxperimeters.com

